

**precision**  
refrigeration



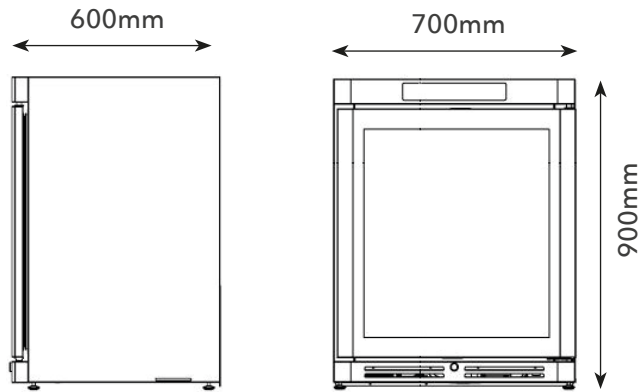
Display Solutions



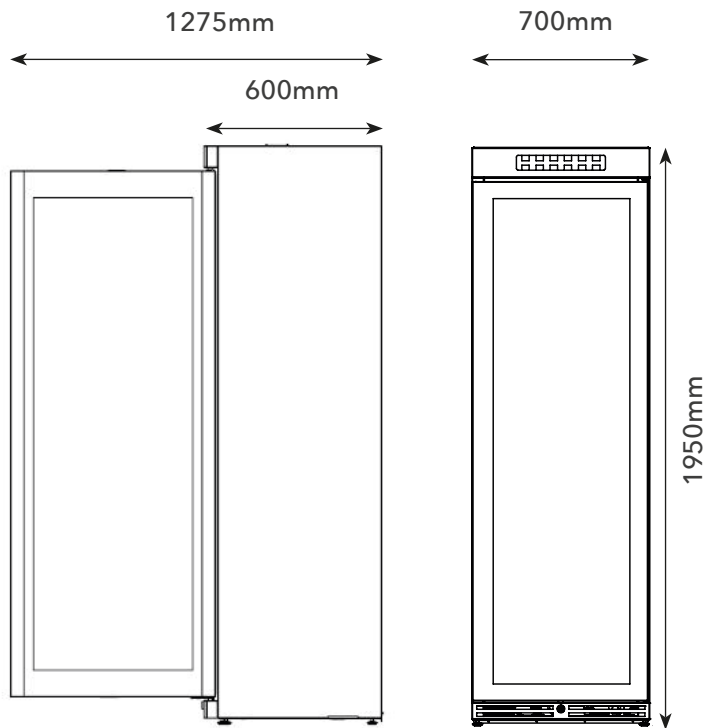
## WINE Storage Solutions

Precision Refrigeration wine cabinets are ideal for storing all varieties of wine. With a temperature range of +3/15°C, wine can now be stored safely in specially designed cabinets, with built-in energy saving refrigeration technology. Wine bottles are displayed on wooden racks, designed by our in-house team of experts, to store bottles correctly.

Wooden Shelves | Door Locks | LED Lighting | Tinted Glass



WS700-900

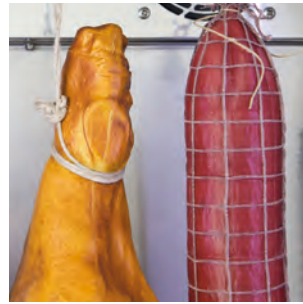


## Product Specification

Model	WS700-900	WS700-1950
Type	Wine Storage	Wine Storage
Material	ST/ST Int/Ext	ST/ST Int/Ext
Shelf Size (mm)	535 x 335	535 x 335
Number of Shelves	4	8
Temperature Range	+3 / 15°C	+3 / 15°C
Exterior WxDxH (mm)	700x600x900	700x600x1950
Weight (KG)	55	133
Refrigerant / GWP	R134a / 1430	R134a / 1430
Refrigeration Watts (+45°C Condensing)	401	401
Evaporating Temp	-5°C	-5°C
Heat Rejection Watts*	613	613
Noise Output (dBa)	55	58
Power	230 / 50 / 1	230 / 50 / 1
Running Amps	1.4	1.4

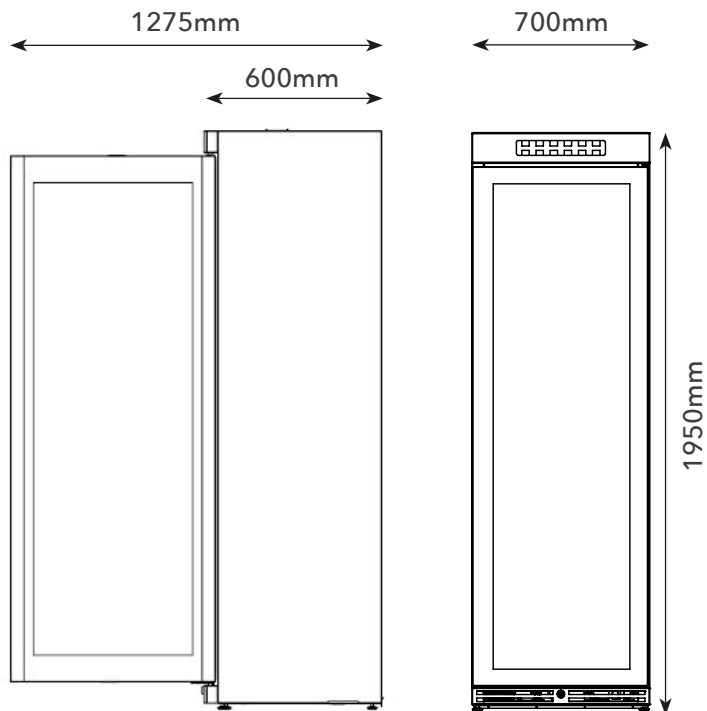
\* Heat Rejection is taken at the listed evaporating and condensing condition. Watts is calculated by taking the total power of the cabinet. We are constantly innovating and improving our products. Please always check our website for the most up-to-date version of this spec sheet





## A MEAT AGEING Revolution

Precision's Meat Ageing refrigerator - The perfect temperature and humidity environment for all your meat ageing needs. Temperature can be accurately set from +1°C and 4°C with humidity between 70-90% - without the need for a water supply. Himalayan Rock Salt is supplied as standard to enhance flavour, and to optimise humidity regulation. The stainless steel construction provides not just a hygienic solution, but a professional look that can be used back or front of house as the perfect meat ageing and sales tool.



## Product Specification

<b>Model</b>	<b>MA700-1950</b>
Type	Meat Ageing Refrigerator
Material	ST/ST Int/Ext
Shelf Size (mm)	543 x 400
Number of Shelves	4 + Hanging Rail
Temperature Range	+1 / 4°C
Humidity Range	70-90%
Exterior WxDxH (mm)	700x600x1950
Weight (KG)	133
Refrigerant / GWP	R134a / 1430
Refrigeration Watts (+45°C Condensing)	359
Evaporating Temp	-10°C
Heat Rejection Watts	565
Noise Output (dBa)	58
Power	230 / 50 / 1
Running Amps	1.5

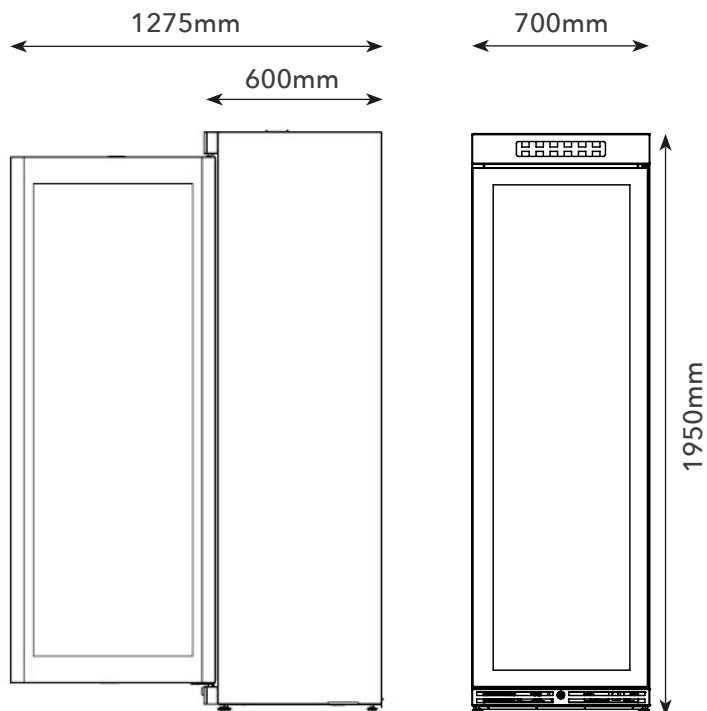
Heat Rejection is taken at the listed evaporating and condensing condition. Watts is calculated by taking the total power of the cabinet. We are constantly innovating and improving our products. Please always check our website for the most up-to-date version of this spec sheet

Available In Different Colours, Solid or Glass Doors



## A CHEESE MATURING Solution

Precision's Cheese Maturing Cabinet - Ideal for storing all types of different cheeses in a temperature controlled environment. The sleek stainless steel finish provides both a hygienic solution, and a professional look for both front and back of house use. With a fully adjustable temperature range of +2 - 15°C, this cabinet is perfectly designed for any commercial catering environment. Cheese can mature naturally, for a richer taste, whilst being housed in an attractive cabinet - a great sales tool.



## Product Specification

<b>Model</b>	<b>CM700-1950</b>
Type	Cheese Maturing Refrigerator
Material	ST/ST Int/Ext
Shelf Size (mm)	543 x 400
Number of Shelves	4
Temperature Range	+2 / 15°C
Exterior WxDxH (mm)	700x600x1950
Weight (KG)	133
Refrigerant / GWP	R134a / 1430
Refrigeration Watts (+45°C Condensing)	359
Evaporating Temp	-10°C
Heat Rejection Watts	540
Noise Output (dBa)	58
Power	230 / 50 / 1
Running Amps	1.5

Heat Rejection is taken at the listed evaporating and condensing condition. Watts is calculated by taking the total power of the cabinet. We are constantly innovating and improving our products. Please always check our website for the most up-to-date version of this spec sheet

Available In Different Colours, Solid or Glass Doors

# **precision**

r e f r i g e r a t i o n

## HEADQUARTERS

Precision Refrigeration

Stephenson Way  
Thetford  
Norfolk  
IP24 3RU  
United Kingdom

+44 (0) 1842 753994  
sales@precision-refrigeration.com

## MIDDLE EAST

Precision Refrigeration

Gold & Diamond Park  
Building 6 - Office 101  
Sheikh Zayed Road  
PO Box 392446  
Dubai

United Arab Emirates  
+971 4 2 89 91 25  
prme@precision-refrigeration.com

## ASIA

Precision Refrigeration  
Equipment (Shenzhen) Co.,Ltd.  
3/F West Block  
No.3-1 Jinde Rd, Caowei  
Xixiang Town, Bao'an  
Shenzhen City 518128  
China

+86 (0) 755 29091080  
prc@precision-refrigeration.com

## AUSTRALIA / NEW ZEALAND

Cyberchill PTY Limited

PO BOX 7200  
Baulkham Hills  
NSW 2153  
Australia

+61 2 8883 1535  
info@cyberchill.com.au

[precision-refrigeration.com](http://precision-refrigeration.com)